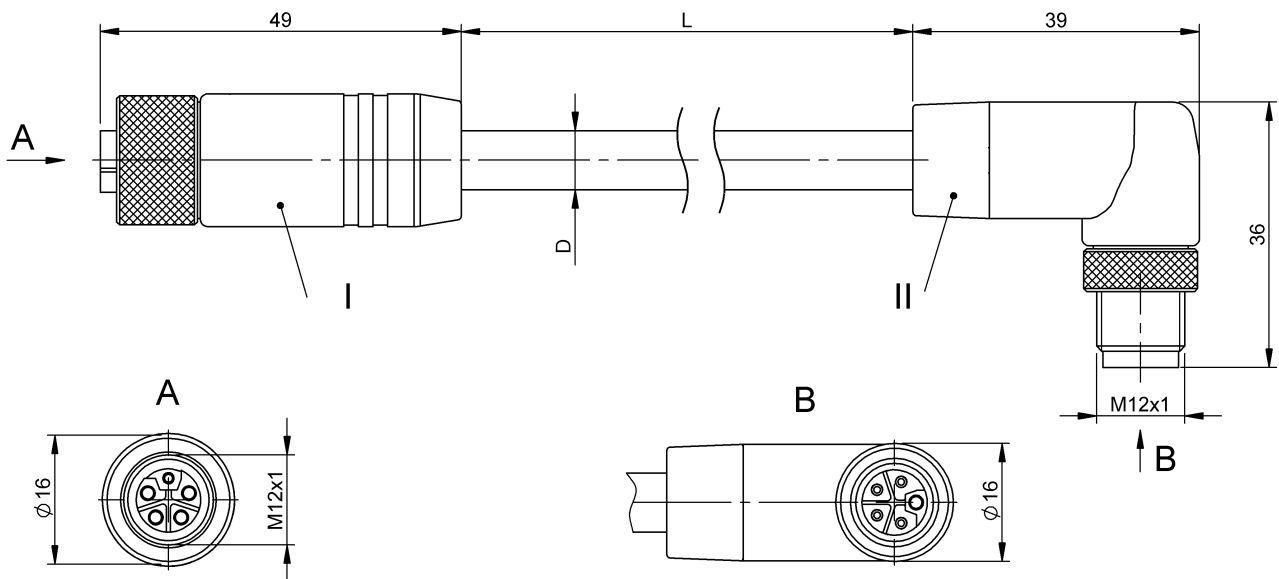


Double-Ended Cordsets  
**BCC M415-M425-3L-386-PX85A5-050**  
**Order Code: BCC0L3K**

**BALLUFF**



**Basic features**

Approval/Conformity	CE WEEE
---------------------	------------

**Electrical connection**

Bending radius min., fixed cable	4 x D
Bending radius min., flexible cable	7.5 x D
Cable	PUR gray, 5 m, drag chain compatible
Cable diameter D	8.00 mm ±0.20 mm
Cable, bending cycles min.	10 mil.
Conductor cross-section	1.5 mm <sup>2</sup>
Connection 1	M12x1-Female, straight, 5-pin, L-coded
Connection 2	M12x1-Male, angled, 5-pin, L-coded
Number of conductors	5
System	Molded/Molded

**Electrical data**

Operating voltage U <sub>b</sub>	60 VDC / 50 VAC
Rated current (40 °C)	16.0 A

**Environmental conditions**

Cable temperature UL max., fixed routing	80 °C
Cable temperature UL max., flexible routing	80 °C
Cable temperature, drag chain	-20...60 °C
Cable temperature, fixed routing	-40...90 °C
Cable temperature, flexible routing	-20...80 °C
IP rating	IP65, IP67, IP69K/IP65, IP67, IP69K

**Material**

Cable jacket, material	PUR
Material contact carrier	PBT/PBT
Material contacts	Copper alloy, gold plated/Copper alloy, gold plated
Material cover nut	Brass nickel-plated/Brass nickel-plated
Material grip	TPE/TPE

**Mechanical data**

Acceleration max., drag chain	50 m/s <sup>2</sup>
Cable jacket, color	gray
Cable length L	5.00 m
Cable properties	drag chain compatible
Tightening torque pigtail	0.6 Nm/0.6 Nm
Traverse speed max., drag chain	5 m/s

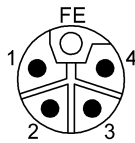
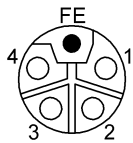
**Double-Ended Cordsets**  
**BCC M415-M425-3L-386-PX85A5-050**  
**Order Code: BCC0L3K**



**Remarks**

Cable construction acc. to UL-AWM Style 20939  
 Flame resistance acc. to IEC 60332-1  
 Flame resistance per IEC 60332-1-2  
 Flame resistance acc. to UL 1581/1080 VW-1  
 Halogen-free per DIN VDE 0472 Part 815  
 Silicone-free  
 Oil resistant per DIN EN 60811-404 (VDE 0473-811-404)  
 Enclosure rating per IEC 60529 or 20653, only in screwed state with the associated mating piece.

**Connector Drawings**



I

PIN 1: brown  
 PIN 2: white  
 PIN 3: blue  
 PIN 4: black  
 PIN 5: pink

II

PIN 1: brown  
 PIN 2: white  
 PIN 3: blue  
 PIN 4: black  
 PIN 5: pink

**Wiring Diagrams**

